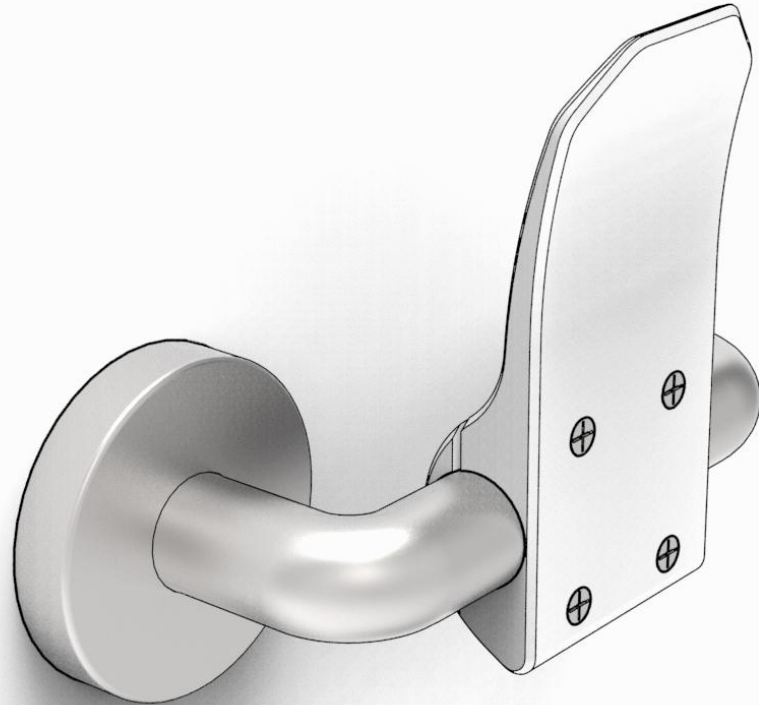


Superstuff.
DIGITALLY CRAFTED

Hands-Free Door Handles

Against the Spread of COVID-19

Germs and viruses can remain active on surfaces for a very long time. Door knobs and handles, being one of the most touch objects in a building, can serve as a route of transmission for many diseases.



Hands-Free Door Handles

Against the Spread of COVID-19

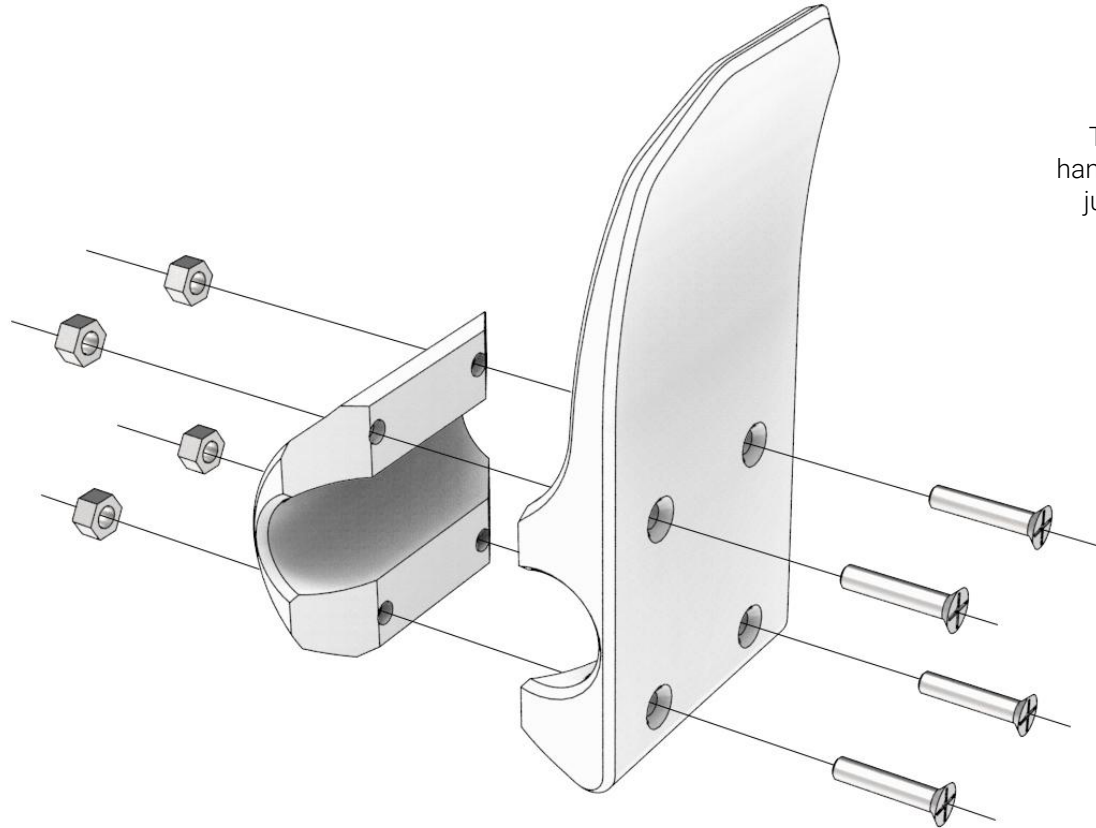
Using your arms instead of our bare hands to open doors has been proven to help prevent the spread of the COVID-19.



How it works

Easy to install, easy to use

This hands free adapter works on standard door handles. It can be set up and fixed in position using just four screws, without the need to change the door handle or drilling holes into the door.



Material

Two plastics available

Polylactic Acid, most commonly known as **PLA**, is a polymer made from renewable resources. Contrary to other thermoplastics which are petroleum-based, some of the raw materials used for PLA's production include corn starch, tapioca roots, or sugarcane. Its properties, however, are comparable to other plastics in the industry.

PLA plastic is recognized as safe by the United States Food and Drug Administration. It is safe for all food packaging applications and due to its non-toxicity has allowed its incorporation in medical applications.

Products made from this material can be cleaned with alcohol or any other common used detergents.



**Colour availability may vary*

PLACTIVE AN1P™ is a Nanocomposite developed with a high quality PLA and a highly effective Nano-Copper additive.

It's antibacterial action has been scientifically validated eliminating more than 99.99% of fungi, viruses, bacteria and a wide range of microorganisms.

Ideal for the manufacture of other medical applications where it's dangerous to have bacterial contamination, such as postoperative prostheses, wound dressing and surgical equipment.

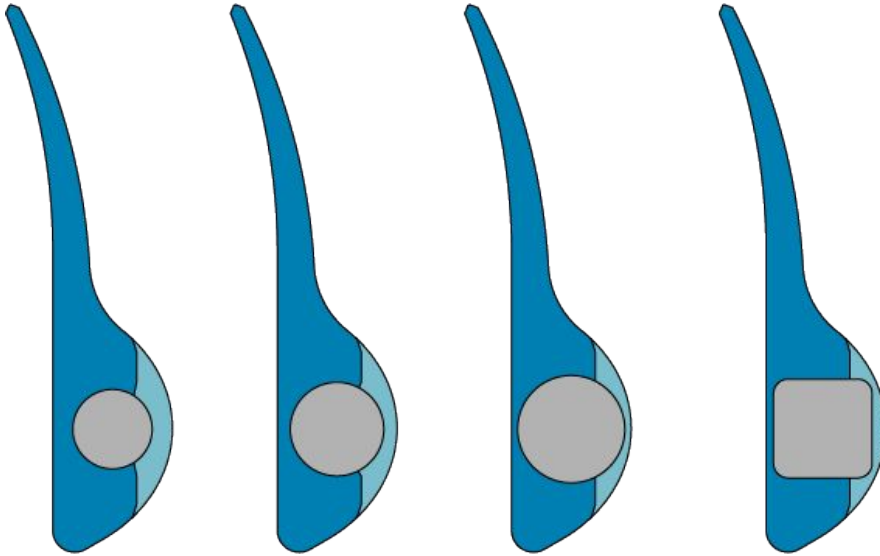


Customize Design

The perfect fit

Not all door handles look the same. They can come in different shapes and sizes, but the power of 3D printing enables our designers to create custom solutions for every handle.

Our team will be able to create, test, and validate your own hands-free door opener.



Lateral view. Door handle section.

Customize Design

Logo personalization

